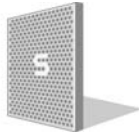


**Schwank**  
INNOVATIVE HEATING SOLUTIONS



**infrsave**  
radiant heaters

**ECOSCHWANK**

**IL**

**ECOSCHWANK-X**

**IL-X**

LUMINOUS GAS FIRED  
INFRA RED HEATER  
REPLACEMENT PARTS LIST

**NOTICE:**

*The manufacturer reserves the right to make changes to equipment and specifications without notification.*

*This publication or any part thereof may not be reproduced in any form without the prior written consent from the manufacturer. Unauthorized use or distribution is strictly prohibited.*

**Schwank Inc. / InfraSave Inc.**

Mississauga, Ontario, Canada

1-866-361-0417

Fax 905-712-8336

Waynesboro, Georgia.

1-877-446-3727

Fax 706-554-9390

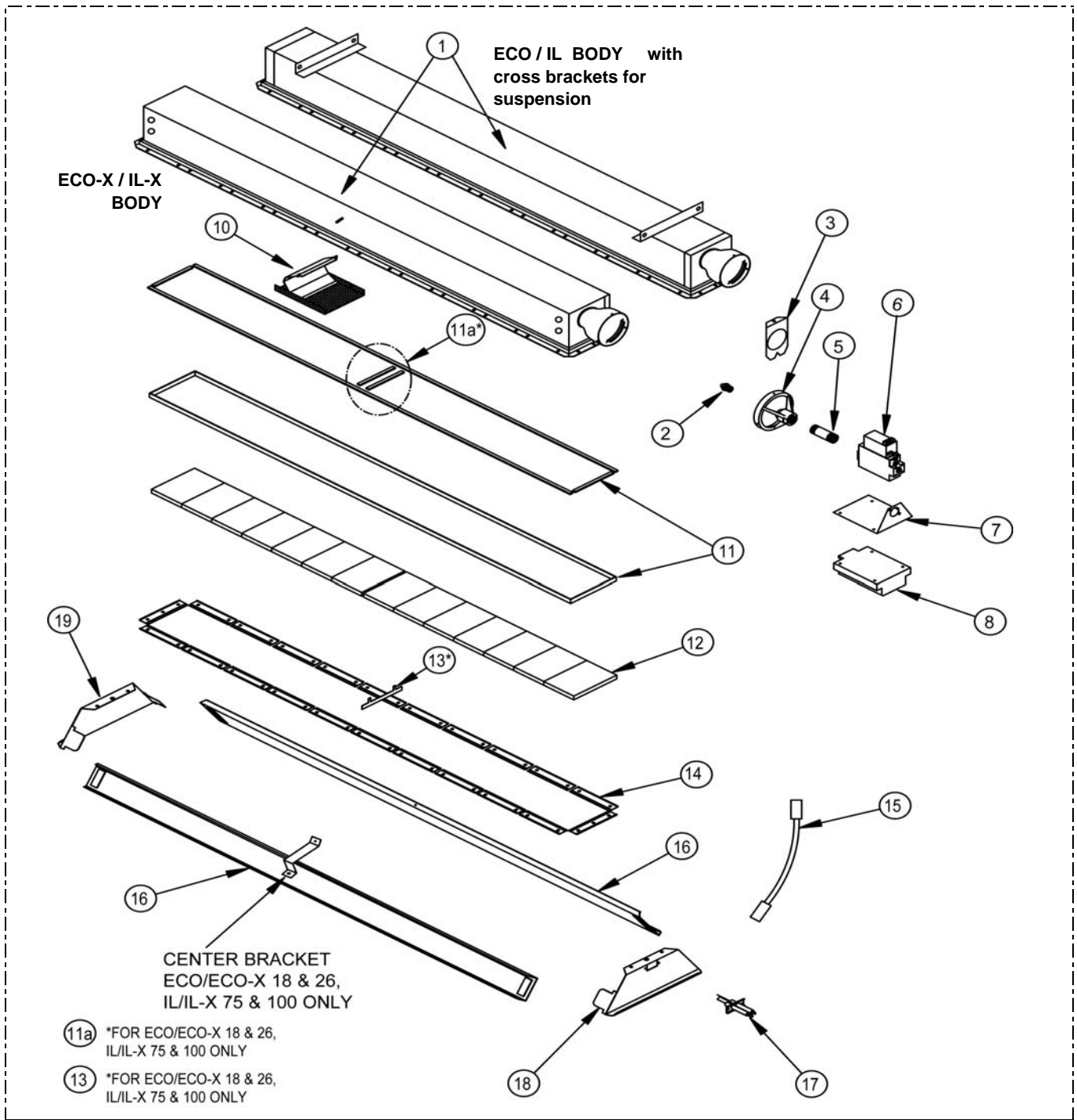
email: [info@schwankheaters.com](mailto:info@schwankheaters.com)

[info@infrsave.com](mailto:info@infrsave.com)

[www.schwankheaters.com](http://www.schwankheaters.com)

[www.InfraSave.com](http://www.InfraSave.com)





**NOTE:** The ECO / IL and the ECO-X / IL-X are very similar heaters and share many common components. The ECO-X / IL-X are a newer series of the ecoSchwank & IL Model heaters - the body style and construction are the main difference in the two series - **The ECO-X & IL-X do not have cross brackets for suspension of the heater**- Check the Model number and refer to the charts below

| PARTS UNIQUE TO ECO / IL MODELS ONLY: '-X' MODELS REFER BELOW |   |                         |
|---|---|-------------------------|
| ITEM  | PART NUMBER   | PART DESCRIPTION        |
| 1   | ECO & IL BURNER BODY IS DISCONTINUED ~ SEE "COMMON PARTS" BELOW                                       |                         |
| 2   | ECO MAIN BURNER ORIFICE - <i>unique to ecoSchwank 8 only</i> - see chart Page 4 for other model sizes |                         |
|   | JX-0743-DM  | ECO 8 N.G. only         |
|   | JX-0754-DM  | ECO 8 L.P. only         |
| 3   | ECO VENTURI AERATION RESTRICTOR PLATE - EARLY ECO MODELS ONLY   |                         |
|   | JL-0765-XX  | ECO 10, 13 / IL 37 & 50 |
|   | JL-0766-XX  | ECO 18, 26 / IL 75, 100 |

GP-RECX-CX-04A  
 ECO/X IL/X RPL  
 RD: JAN 2006  
 RL: 4A  
 BA

**PARTS UNIQUE TO ECO / IL MODELS ONLY: - continued -X MODELS REFER BELOW**

| ITEM | PART NUMBER   | PART DESCRIPTION                                 |
|------|---|--|
| 10   | ECO / IL BAFFLE ASSEMBLY - EARLY MODELS ONLY- IF DETACHABLE |  |
|      | JX-0284-08  | ECO 6 / IL 25                                    |
|      | JX-0284-10  | ECO 10 / IL 37                                   |
|      | JX-0284-18  | ECO 18, 36 / IL 75, 150                          |
|      | JX-0284-13  | ECO 13, 26, 52 / IL 50, 100, 200                 |
| 14   | ECO / IL TILE RETAINERS - STAINLESS STEEL - BOLT-ON         |  |
|      | JX-0243-XX  | TILE RETAINERS - ECO / IL - ALL SIZES            |
| 16   | ECO / IL SIDE REFLECTORS (SET OF TWO)                       |  |
|      | JX-0287-AA  | ECO 6, 8 / IL-25                                 |
|      | JX-0287-XX  | ECO 10 / IL-37                                   |
|      | JX-0288-XX  | ECO 13 / IL 50                                   |
|      | JX-0289-XX  | ECO 18 / IL 75 ; ECO 36 / IL-150                 |
|      | JX-0290-XX  | ECO 26 / IL 100 / ; ECO 52 / IL-200              |
| 18   | JX-0286-DI-   | IGNITER END REFLECTOR : ECO 36, 52 & IL 150, 200 |
| 19   | JX-0286-DB-   | END REFLECTOR : ECO 36, 52 & IL 150, 200         |

**PARTS UNIQUE TO ECO-X / IL-X MODELS ONLY - ECO / IL MODELS REFER ABOVE**

| ITEM | PART NUMBER  | PART DESCRIPTION  |
|------|--|---|
| 1    | BURNER BODY ~ REFER TO "COMMON PARTS" BELOW                |   |
| 14   | ECO-X / IL-X / TILE RETAINERS - STAINLESS STEEL - CRIMP-ON |   |
|      | JX-0243-XX   | TILE RETAINER - EACH END - ALL SIZES  |
|      | JX-0243-XA   | TILE RETAINER - 10-7/8" - ECO-X 6 / IL-X 25 & ECO-X 18 & 36 / IL-X 75 & 150     |
|      | JX-0243-XB   | TILE RETAINER - 9" - ECO-X 10 / IL-X 37   |
|      | JX-0243-XC   | TILE RETAINER - 12-5/8" - ECO-X 13, 18, 26, 36, 52 & IL-X 50, 75, 100, 150, 200 |
| 16   | ECO-X / ECO-MX / IL-X / IL-MX SIDE REFLECTORS (SET OF TWO) |   |
|      | JX-0287-XA   | ECO-X 6 / IL-X 25   |
|      | JX-0287-XE   | ECO-X 10 / IL-X 37  |
|      | JX-0288-XE   | ECO-X 13 / IL-X 50  |
|      | JX-0289-XE   | ECO-X 18 / IL-X 75; ECO-X 36 / IL-X 150   |
|      | JX-0290-XE   | ECO-X 26 / IL-X 100; ECO-X 52 / IL-X 200  |
| 18   | JX-0286-IX-  | IGNITER END REFLECTOR : ECO-X 36, 52 & IL-X 150, 200                            |
| 19   | JX-0286-BX-  | END REFLECTOR : ECO-X 36, 52 & IL-X 150, 200                                    |

**PARTS COMMON TO ECO / ECO-X & IL / IL-X MODELS**

| ITEM | PART NUMBER  | PART DESCRIPTION   |
|------|--|--|
| 1    | ECO / ECO-X & IL / IL-X: BURNER BODY ~ INCLUDES TILES MOUNTED IN BODY & ALL REFLECTORS |  |
|      | JX-X025-BR   | ECO 6, 8 / IL 25: BODY + Mounted TILES + REFLECTORS  |
|      | JX-X037-BR   | ECO 10 / IL 37: BODY + Mounted TILES + REFLECTORS  |
|      | JX-X050-BR   | ECO 13 / IL 50: BODY + Mounted TILES + REFLECTORS  |
|      | JX-X075-BR   | ECO 18 / IL 75: BODY + Mounted TILES + REFLECTORS  |
|      | JX-X100-BR   | ECO 26 / IL 100: BODY + Mounted TILES + REFLECTORS   |
|      | JX-X150-BR   | ECO 32 / IL 150: BODY + Mounted TILES + REFLECTORS   |
|      | JX-X200-BR   | ECO 52 / IL 200: BODY + Mounted TILES + REFLECTORS   |
| 2    | MAIN BURNER ORIFICE - See chart Page 4   |  |
| 3    | VENTURI AERATION RESTRICTOR PLATE (AIR THROTTLE) - See chart Page 4                    |  |
| 4    | JX-0210-XX   | ORIFICE HOLDER - ALL MODELS - ALL SIZES  |
| 5    |  | 1", 2" & 2.5" Pipe Nipple - Available at any supply house  |
| 6    | COMBINATION GAS VALVE  |  |
|      | JL-0701-XX   | ECO/ECO-X & IL/IL-X N.G. (ALL SIZES)   |
|      | JL-0703-XX   | ECO/ECO-X & IL/IL-X L.P. (ALL SIZES)   |
| 7    | JX-0206-XX   | CONTROL BRACKET - ALL MODELS AND SIZES   |
| 8    | DIRECT SPARK IGNITION CONTROL  |  |
|      | JX-0202-XX   | HONEYWELL S87C D.S.I. CONTROL  |
|      | JX-0202-EK   | REPLACEMENT KIT FOR SYNETEK 3 TRY IGNITION CONTROL - HONEYWELL S87C                                      |
|      | JX-0201-DD-  | DSI - FENWAL - TWO BURNER: ECO/ECO-X 36, 52 & IL/IL-X 150, 200;<br>Also Includes Wire Harness JX-0201-WH |
| 10   | BAFFLE ASSEMBLY - EARLY ECO MODELS ONLY - REFER TO UNIQUE MODEL PARTS ABOVE            |  |

**PARTS COMMON TO ECO / ECO-X & IL / IL-X MODELS - continued**

| ITEM      | PART NUMBER  | PART DESCRIPTION  |
|-----------|--|---|
| 11        | GASKET SET   |   |
|           | JX-0245-AA   | ECO/ECO-X 6 & IL/IL-X 25                                      |
|           | JX-0245-XX   | ECO/ECO-X 10 & IL/IL-X 37                                     |
|           | JX-0246-XX   | ECO/ECO-X 13 & IL/IL-X 50                                     |
|           | JX-0247-XX   | ECO/ECO-X 18, 36 & IL/IL-X 75, 150                            |
|           | JX-0248-XX   | ECO/ECO-X 26, 52 & IL/IL-X 100, 200 (INCLUDES 11A)            |
| 12        | JL-0740-XX   | CERAMIC TILE - ALL MODELS - ALL SIZES                         |
| 14        | TILE RETAINERS - REFER TO UNIQUE MODEL PARTS ABOVE   |   |
| 15        | HIGH VOLTAGE WIRE - SPARK                            |   |
|           | JX-0228-XX   | STANDARD  |
|           | JX-0228-MI   | PROCESS (HIGH TEMPERATURE WIRE)                               |
| 16        | SIDE REFLECTORS - REFER TO UNIQUE MODEL PARTS ABOVE  |   |
| 17        | JX-0204-XX   | IGNITER SENSOR  |
| 18        | JX-0285-XX   | IGNITER END REFLECTOR : ECO/ECO-X 6 -> 26 & IL/IL-X 25 -> 100 |
| 19        | JX-0286-XX   | END REFLECTOR : ECO/ECO-X 6 -> 26 & IL/IL-X 25 -> 100         |
| NOT SHOWN | WIRES COMPLETE WITH TERMINALS                        |   |
|           | JX-0229-SR   | LOW VOLTAGE WIRE - SENSOR                                     |
|           | JX-0229-MI   | PROCESS (HIGH TEMPERATURE WIRES)                              |
|           | JX-0229-VA   | LOW VOLTAGE WIRE - VALVE                                      |
|           | JX-0229-GR   | LOW VOLTAGE WIRE - GROUND                                     |
|           | JX-0201-WH-  | WIRE HARNESS - FENWALL - ECO/ECO-X 36&52, IL/IL-X 150&200     |
|           | GAS CONVERSION KITS - SEE CURRENT SCHWANK PRICE LIST |   |

**ORIFICE & AIR THROTTLE CHART - ecoSchwank, ecoSchwank-X / IL, IL-X**

| Model               | Gas Type ->  |                | Natural Gas         |                | Propane Gas         |  |
|---------------------|--------------|----------------|---------------------|----------------|---------------------|--|
|                     | Input (Btuh) | Orifice Part # | Air Throttle Part # | Orifice Part # | Air Throttle Part # |  |
| ECO 6 / IL 25       | 21,500       | JX-0748-DM     | JL-0764-XX          | JX-0755-DM     | JL-0764-XX          |  |
| ECO 8               | 25,000       | JX-0743-DM     |                     | JX-0754-DM     |                     |  |
| ECO 10 / IL 37      | 35,000       | JX-0738-DM     |                     | JX-0752-DM     |                     |  |
| ECO 13 / IL 50      | 50,000       | JX-0730-DM     |                     | JX-0746-DM     |                     |  |
| ECO 18 / IL 75      | 71,500       | JX-0728-DM     |                     | JX-0742-DM     |                     |  |
| ECO 26 / IL 100     | 100,000      | JX-0720-DM     |                     | JX-0733-DM     |                     |  |
| ECO 36 / IL 150     | 150,000      | 2 x JX-0728-DM |                     | 2 x JX-0742-DM |                     |  |
| ECO 52 / IL 200     | 200,000      | 2 x JX-0720-DM |                     | 2 x JX-0733-DM |                     |  |
| ECO-X 6 / IL-X 25   | 21,500       | JX-0748-DM     | JL-0764-XX          | JX-0755-DM     | JL-0764-XX          |  |
| ECO-X 10 / IL-X 37  | 34,000       | JX-0741-DM     | JO-0373-CC-         | JX-0752-DM     | JO-0373-AA-         |  |
| ECO-X 13 / IL-X 50  | 50,000       | JX-0731-DM     | JO-0373-XX-         | JX-0747-DM     | JO-0373-XX-         |  |
| ECO-X 18 / IL-X 75  | 71,500       | JX-0729-DM     | JO-0375-XX-         | JX-0742-DM     | JO-0379-XX-         |  |
| ECO-X 26 / IL-X 100 | 100,000      | JX-0719-DM     | None                | JX-0733-DM     | None                |  |
| ECO-X 36 / IL-X 150 | 150,000      | 2 x JX-0729-DM | 2 x JO-0375-XX-     | 2 x JX-0742-DM | 2 x JO-0379-XX-     |  |
| ECO-X 52 / IL-X 200 | 200,000      | 2 x JX-0719-DM | None                | 2 x JX-0733-DM | None                |  |