



4BN6-CB 4SN5-CB
4BL6-CB 4SL5-CB

POST MOUNTED INFRARED PATIO HEATER



FOR OUTDOOR USE ONLY

INSTALLATION / OWNER'S MANUAL



This Operation & Instruction manual is not to be removed from the site.
Consumer: Become acquainted with all safety procedures in the manual and retain the manual in a secure location for future reference.



WARNING: Improper installation, adjustment, alteration, service or maintenance can cause property damage, injury, or death. This heater must only be serviced by a qualified gas service technician. Read and understand this installation, operating and maintenance instructions thoroughly before installation, operation, or service to this appliance.



WARNING: Do not store or use gasoline or other flammable vapours and liquids in the vicinity of this or any other appliance.



DANGER

IF YOU SMELL GAS:

1. Shut off gas to the appliance
2. Extinguish any open flame
3. Don't touch any electrical switch or telephone
4. Go to a neighbour and call you gas supplier immediately
5. Follow any and all instructions from your gas supplier
6. If your gas supplier is not available call the fire department

FIELD CONVERTIBILITY: This appliance is NOT field convertible between natural gas and propane gas

Keep this manual in a secure place for future reference.
Record the following information :

Model #: 4BN6-CB Natural Gas
 4BL6-CB Propane Gas
 4SN5-CB Natural Gas
 4SL5-CB Propane Gas

Serial #: _____
(located on heater rating label)



NOTICE:

The Manufacturer reserves the right to make changes to equipment and specifications without obligation or notification.

This publication, or parts thereof, may not be reproduced in any form, without prior written consent from the manufacturer.

Unauthorized use or distribution of this publication is strictly prohibited.

*Schwank / InfraSave
5285 Bradco Boulevard
Mississauga, Ontario,
L4W 2A6*

*2 Schwank Way
Waynesboro, Georgia,
USA 30830*

Orders, Customer & Technical Services

Phone: 1-877-446-3727

Fax: 1-866-361-0523

e-mail: csr@schwankgroup.com

www.schwankgroup.com

e-mail: csr@infrasave.com

www.infrasave.com




4BN6-CB 4SN5-CB
4BL6-CB 4SL5-CB

POST MOUNTED INFRARED PATIO HEATER

 **FOR OUTDOOR USE ONLY**

TABLE OF CONTENTS

IMPORTANT INFORMATION - READ FIRST

 **IMPORTANT SAFETY WARNINGS 4, 5**
NOTICE TO INSTALLERS 4
CLEARANCE TO COMBUSTIBLES..... 4

TOPIC	PAGE NUMBER	TOPIC	PAGE NUMBER
1. GENERAL.....	6	9. LIGHTING, OPERATION, AND SHUTDOWN INSTRUCTIONS.....	13
2. INSTALLATION REQUIREMENTS.....	6	10. MAINTENANCE	14
3. SPECIFICATIONS	6	11. TROUBLESHOOTING	16
4. GAS SUPPLY	7	12. REPLACEMENT PARTS: EXPLODED VIEW	17
5. MAIN COMPONENTS & DIMENSIONS ...	8	LIMITED WARRANTY.....	BACK PAGE
6. ASSEMBLY / INSTALLATION INSTRUCTIONS	9		
7. GAS CONNECTION AND LEAK TESTING	11		
8. SAFE LOCATION OF HEATER	12		
8.1 CLEARANCE TO COMBUSTIBLES.....	12		

IMPORTANT SAFETY NOTICES AND WARNINGS:



Important Notice to Installer:

Service and repairs must be done by a trained gas service technician.

This Operation & Instruction manual is not to be removed from the site. This manual MUST be given in its entirety to the consumer and retained for future reference. Acquaint all users with Important Information throughout the manual.



Warning

- Improper Installation, adjustment, alteration, service or maintenance can cause injury or property damage.
- READ these installation, operating and maintenance instructions thoroughly before operating or servicing this equipment.
- It is imperative that control compartment, burners and circulating air passageways be kept clean and unobstructed.



Warning

Clearance to Combustibles

Do not use, store or locate flammable or explosive objects, liquids or vapors in proximity of the heater. Location of flammable or explosive objects, liquids or vapors close to the heater may cause fire or explosion and result in property damage, injury or death.



The clearance to combustible material represents the minimum distance that must be maintained between the outer heater surface and a nearby surface. The stated clearance to combustibles represents a surface temperature of 90F° (50C°) above room temperature.



It is the responsibility of the installer and user to ensure that building materials with a low heat tolerance which may degrade at lower temperatures are protected to prevent degradation. Examples of low heat tolerance materials include vinyl siding, fabrics, canvas, plastics, filmy materials, tri-ply, etc.

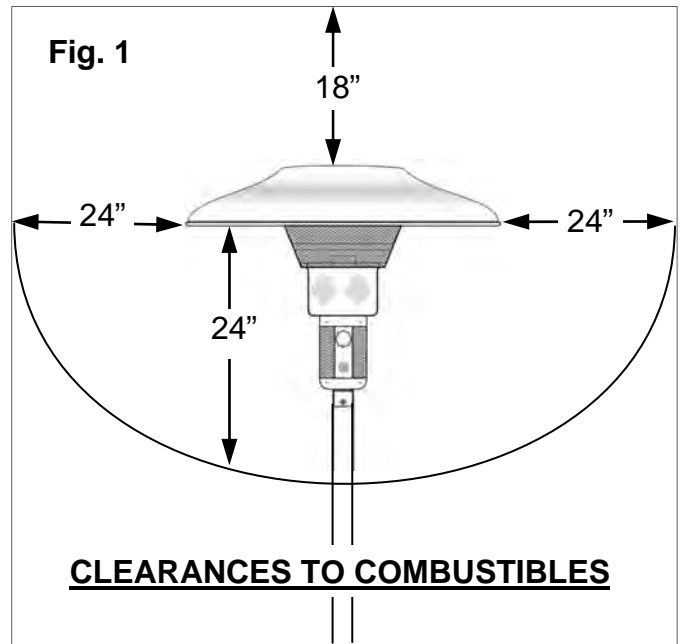
- In addition to stored or stationary material, clearance consideration must also be given to moveable objects such as furnishings and vehicles, and structural objects such as electrical and gas lines, electrical fixtures, and sprinkler heads.
- Heaters must be located an appropriate distance from sprinkler heads. This distance may be greater than the certified clearance to combustibles. Check the temperature rating of the sprin-

klers heads and locate heaters at a safe distance - in some instances the sprinkler heads may need to be replaced by higher temperature rated heads. Check with the local Fire Marshall and your insurance carrier.

CLEARANCES TO COMBUSTIBLES
MUST BE MAINTAINED OR EXCEEDED:

Maintain clearances to combustible materials as shown in Fig. 1:

- Sides of Reflector: 24 inches
- Above Reflector: 18 inches
- Below Reflector: 24 inches



WARNING:

- **CHILDREN AND ADULTS SHOULD BE ALERTED TO THE HAZARDS OF HIGH SURFACE TEMPERATURES AND SHOULD STAY AWAY TO AVOID BURNS OR CLOTHING IGNITION.**
- **YOUNG CHILDREN SHOULD BE CAREFULLY SUPERVISED WHEN IN THE AREA OF A HEATER.**
- **CLOTHING OR OTHER FLAMMABLE MATERIALS MUST NOT BE HUNG FROM, OR PLACED ON OR NEAR THE HEATER.**
- **INSTALLATION AND REPAIR SHOULD BE DONE BY A QUALIFIED SERVICE PERSON. THE HEATER SHOULD BE INSPECTED BEFORE USE AND AT LEAST ANNUALLY BY A QUALIFIED SERVICE PERSON.**
- **MORE FREQUENT CLEANING MAY BE REQUIRED AS NECESSARY. IT IS IMPERATIVE THAT CONTROL COMPARTMENT, BURNERS AND AIR CIRCULATING PASSAGEWAYS OF THE HEATER BE KEPT CLEAN.**
- **ANY GUARD OR OTHER PROTECTIVE DEVICE REMOVED FOR SERVICING THE HEATER MUST BE REPLACED PRIOR TO OPERATING THE HEATER**

Do not alter or modify this heater in any way

It is beyond the scope of these instructions to consider all conditions that may be encountered. Consult local authorities such as the Fire Marshall, insurance carrier, or safety authorities if you are uncertain as to the safety or applicability of the proposed installation.

1. GENERAL

These installation and operating instructions are intended for Series 4SN/L5 and 4BN/L6 Heaters. This appliance is an fixed post gas-fired infrared patio, deck and garden heater for operation with Natural Gas (4SN5 and 4BN6) or Propane (4SL5 and 4BL6).

The burner is controlled and adjusted by the gas control knob at the top of the heater, and the gas supply is routed through the inside of the pole using flexible gas hose.

Installation must conform with local codes or, in the absence of local codes, with the *National Fuel Gas Code ANSI Z223.1 / NFPA 54, Natural Gas and Propane Installation Code, CAN/CGA-B149.1, or Propane Storage and Handling Code B149.2.*

2. INSTALLATION REQUIREMENTS



WARNING: Improper installation, operation, adjustment, alteration, servicing or maintenance can cause severe property damage, serious injury or death.

Carefully read this User Guide before installing and setting up the heater.

This heater must only be installed and serviced by a qualified gas service technician. Failure to comply could result in personal injury, death, fire and/or property damage.

The series 4SN/L5-24 and 4BN/L6-24 heaters must always maintain the proper clearance to combustible materials. (Top 18" sides 24" below 24"). Do not use this heater in an explosive atmosphere or indoors. Keep heater away from areas where gasoline or other flammable liquids or vapors are stored. Maintain adequate clearance around air openings into the combustion chamber.

This appliance is a fixed post gas-fired infrared patio heater for **outdoor use only and must be used in a well ventilated area, and must not be used in a building, garage or any other enclosed area.**

This appliance may be installed within shelter no more inclusive than:

- With walls on all sides, but with no overhead cover
- Within a partial enclosure which includes an overhead cover (maintain clearance to combustibles above heater) and no more than two side walls. These side walls may be parallel, as in a breezeway, or at right angles to each other
- Within a partial enclosure which includes an overhead cover and three side walls, as long as 30 percent or more of the horizontal periphery of the enclosure is permanently open

3. SPECIFICATIONS:

	<u>4SN5 and 4BN6</u>	<u>4SL5 and 4BL6</u>
• Fixed fuel piping system requirements:	Natural Gas	Propane Gas
Maximum Gas Supply Pressure	7" w.c.	14" w.c.
Recommended Gas Supply Pressure	5" w.c.	11" w.c.
Manifold Pressure	3.5" w.c.	10.5" w.c.
Operating Input Rating (Btuh)	38,000	38,000
• Fuel supply must be regulated (regulator field supplied) to provide proper gas supply pressure		
• Electrical: 24Vac		
• Effective radiant range: 8 to 20 foot circle (affected by wind and ambient temperature)		
• Heater net weight: 60 lbs		
• Certification: CSA International USA and Canada		

4. GAS SUPPLY: NATURAL GAS or PROPANE

Gas supply to this heater requires a gas pressure regulator (not supplied).

The heater comes with a flexible hose assembly inside the post with 3/8" male flared fitting for hook-up to a minimum 5" w.c. Natural Gas supply (7" w.c. maximum), OR minimum 11" w.c. LP Gas (14" w.c. maximum).

The combination gas control valve in the heater has an integral pressure regulator that reduces gas manifold pressure to the orifice and burner to 3.5" w.c. natural gas, or 10.0" w.c. propane.



Never connect an unregulated gas supply to the heater.

Only use the gas type set for operation of the heater. Do not use LP gas if the gas valve and gas orifice are set for natural gas, or do not use natural gas if valve and orifice are set to operate on LP gas.

Personal injury, death, and/or property damage can result from using the incorrect gas.

Gas supply to this heater requires a gas pressure regulator (not supplied).

Heaters may be connected to a regulator individually or in zones. Gas pressure regulators must be for the correct gas type, and properly sized for each particular installation.

For your safety a complete gas tightness check of all connections and hoses must be performed at the installation site, prior to use.

PRESSURE TESTING OF THE GAS SUPPLY PIPING

- This appliance and its individual shutoff valve must be disconnected from the gas supply piping system during any pressure test of that system at test pressures in excess of 1/2 psi (3.5 kPa)
- This appliance must be isolated from the gas supply piping system by closing its individual manual shutoff valve during any pressure testing of the gas supply system at test pressures equal to or less than 1/2 psi (3.5 kPa)



LEAK TEST MUST BE PERFORMED: refer to Leak Test procedures on page 11
Any repairs must be made by a trained and qualified gas service technician.

PRECAUTIONS:

- Periodically (at least annually), or if the smell of gas is detected, check the whole system for leaks
- Follow leak test procedures on page 11
- Extinguish all open flames.
- Never smoke while leak testing.
- If you detect a leak, turn off the gas supply and call a qualified gas service technician, or your gas supplier.
- Only replacement parts by the manufacturer are to be used for repair. Substitution can create a safety issue and result in serious injury or death, and will void the warranty.
- **Do not use the heater until all connections have been leak tested and are sound !!!**

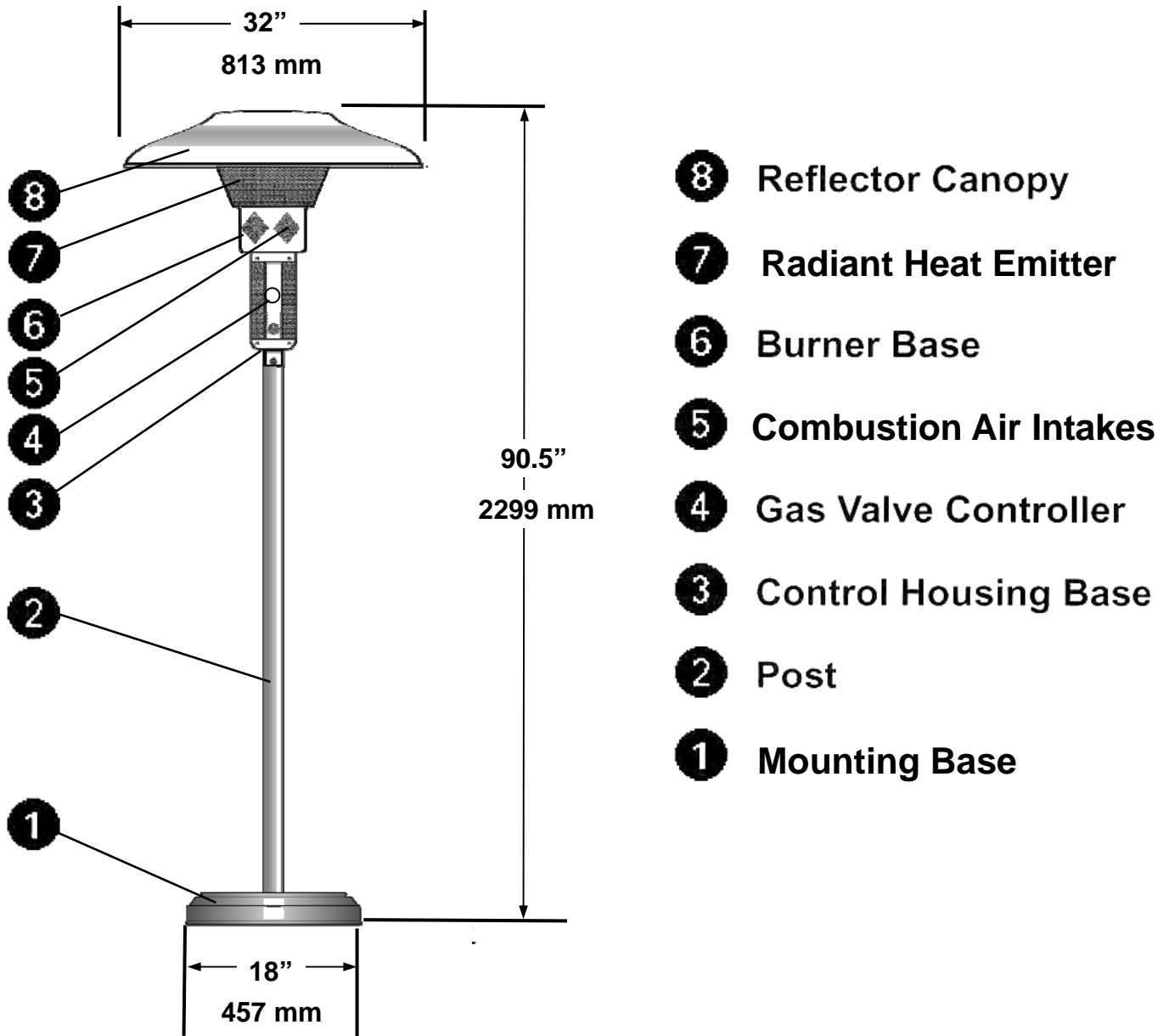
5. MAIN COMPONENTS AND DIMENSIONS

Models 4SN/L5 include stainless post and base: N = natural gas, L = propane.

Models 4BN/L6 has black powder coated post and base: N = natural gas, L = propane.

Gas valve and orifice are specific to gas type, all other components are common for all models.

Note: One or more gas pressure regulator is required (not supplied) to regulate gas supply pressure.



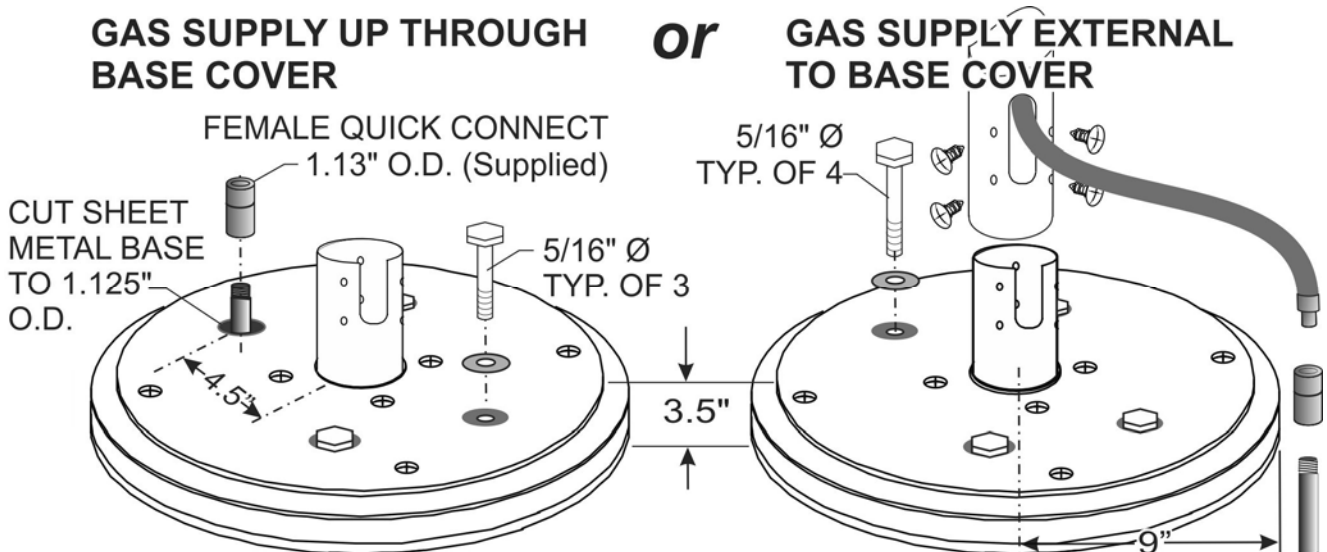
6. HEATER ASSEMBLY & INSTALLATION

Tools Needed: (not supplied)

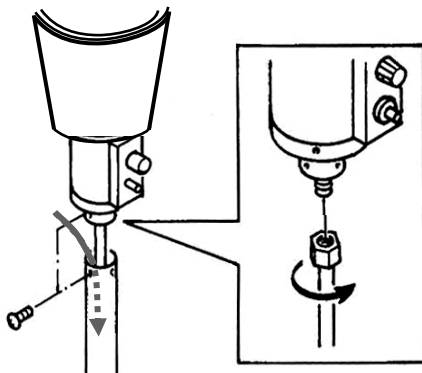
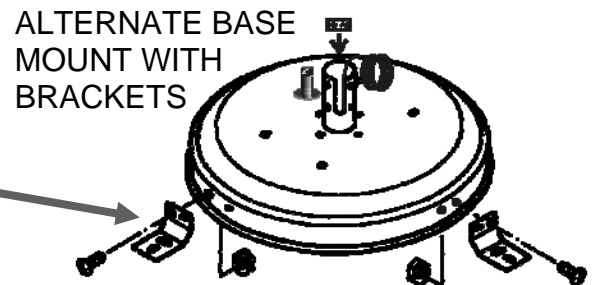
Adjustable Wrench or wrench set, Slip Joint Pliers, Phillips Screwdriver-Medium Blade (#2 or #3 blade), Sheet Metal Snips, Drill and Masonry Bit for lag anchors (if mounting on concrete patio), Plumbing Seal/Tape for Joints, Soapy Water: Spray Bottle or Paint Brush for leak testing.

NOTE: The top surface of the heater base is 3 1/2" above patio deck. Ensure the gas supply pipe extends sufficient length above patio deck and heater base to allow installation of 1/2" Female Quick Connect (supplied); allow minimum 18" of 24Vac power supply wire above deck for connection to heater wiring.

- The 1/2" gas supply pipe can be located either external to or routed through the heater base:
 - **External to the heater base** (9" / 228 mm from post center to outside edge of base)
 - **Routed through** a 1.125" [28.5mm] hole cut in heater base. Trim base sheet metal at one of the mounting hole locations to suit 1.125" hole in underlying base plate. (Post center to gas supply hole: 4.5" / 114 mm).



- Install heater base to patio deck using appropriate hardware such as 5/16" lag screws (qty 3 or 4 field supplied) through the holes in the heater base
- OR -
Use the supplied brackets (qty 3) as the fastening solution (hardware to anchor to deck field supplied).



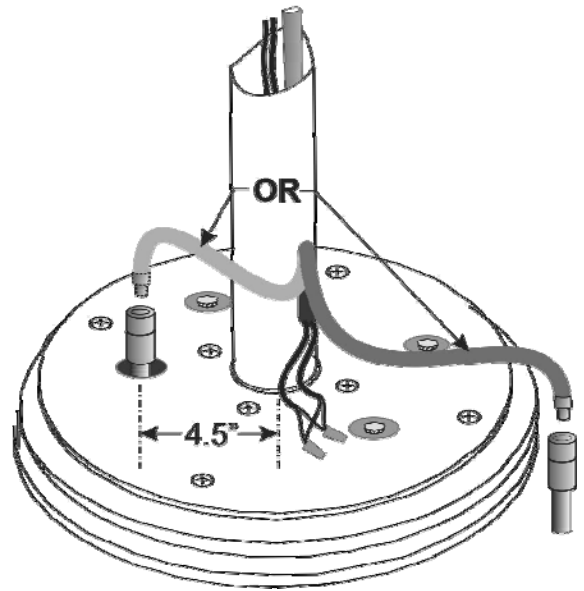
- Fasten post to heater base using (qty 6) sheet metal screws supplied.
- Connect gas hose to burner (flare connection) and tighten connection with wrenches.

ASSEMBLY / INSTALLATION CONTINUED

5. Feed gas hose from burner down the post and out through the oval port at bottom of post. Temporarily secure the burner assembly to post with screws supplied.

HAND TIGHTEN the burner fastening screws at this time. Once the heater is connected to the gas supply, the burner head will need to be lifted slightly to allow leak test of the hose connection to the burner.

6. Make gas connection: 1/2" Quick disconnect set is supplied with heater



7. Ensure all gas connections are sound and the installation conforms to local and national codes.

8. Perform leak testing of all gas connections (see procedure page 12)

Remove burner fastening screws - lift the burner head assembly enough to allow leak test of the hose connection to the burner.

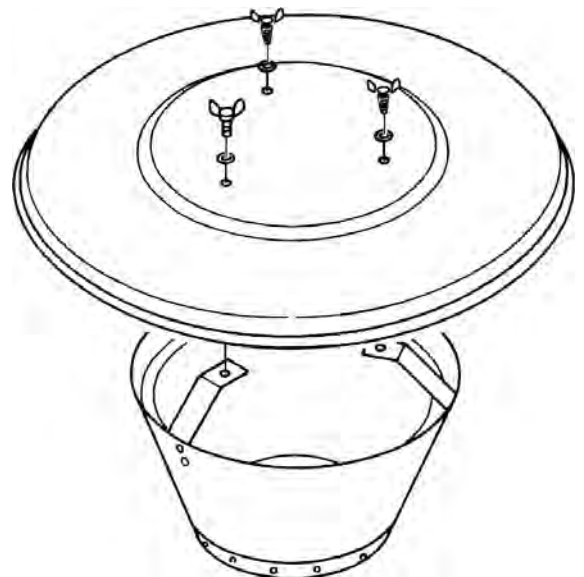
9. Install burner assembly to post.

Check that the post and the burner assembly stand vertically plumb to the base.

Ensure all bolts and nuts are tightened securely.

10. Install Reflector:

- Align holes in reflector to those in the reflector support brackets at top of burner
- Install a washer onto each wing bolt
- Secure reflector to support brackets on burner with wing bolts.



Heater Setup is now complete.

7. GAS CONNECTION AND LEAK TESTING:

Locate the gas hose and piping out of pathways where people may trip over them, or in areas where the hose/piping may be subject to accidental damage.

NATURAL GAS CONNECTION:

- Connect the natural gas supply line to the flexible hose at the base of the post as per local or national gas code.
- The natural gas supply must be regulated, and piping sized accordingly to provide a minimum 5" w.c. (maximum 7" w.c.) gas pressure to each heater.

PROPANE CONNECTION:

- **This appliance is NOT for use with a portable LP-cylinder**
- Connect the propane gas supply line to the flexible hose at the base of the pole as per local or national gas code.
- The LP gas supply must be regulated, and piping sized accordingly to provide a minimum 11" w.c. (maximum 14" w.c.) gas supply pressure to each heater.

WARNING



This heater must only be serviced by a trained and qualified gas service technician. Failure to comply could result in personal injury, death, fire and/or property damage.

LEAK TEST:

Prior to putting the assembled heater into service a leak test of all gas supply connections and hoses must be performed.

Mix equal parts of water and soap, apply mixture liberally to all gas connections.

1. Ensure that the heater is inoperable - shut off electrical supply to heater.
 2. Open the gas supply valve
 3. Apply the soap solution generously to all connections and hoses.
- If bubbles are detected, there **IS** a leak.
 - Close gas supply valve completely.
 - Call a trained and qualified gas service technician to accomplish repairs.
 - Tighten, repair or replace components at the leaking connection and repeat leak test procedure
 - The heater cannot be put into service until **ALL** gas leaks have ceased, no matter how small.

8. SAFE LOCATION OF HEATER:



CAUTION: THIS HEATER IS FOR OUTDOOR USE ONLY

See also "Installation Requirements", section 2, page 6

Locate the heater out of pathways where people may come into contact with it, or in areas where the heater may be subject to accidental damage.

This heater can be used to provide radiant heat comfort **outdoors**, at poolside, spa areas, terraces, patios and work areas, etc. Not for indoor use. (refer to section 2, page 6)

It is necessary to provide "wind breaks", against wind and breezes to maximize comfort.

If objects are left under a heater in operation, such objects will be subject to radiant heat.

Always maintain at least the minimum certified clearances to combustibles from the heater to any adjacent combustible materials. Refer to Fig 12 below.

- Install heater on a level, solid and stable surface.
- Do not install in an explosive environment. Keep away from areas where gas vapours are present or inflammable liquids are stored or used.
- In case of high winds, completely shut-off the heater and gas valve. Remove reflector dome to secure storage if necessary

8.1 CLEARANCES TO COMBUSTIBLES MUST BE MAINTAINED:

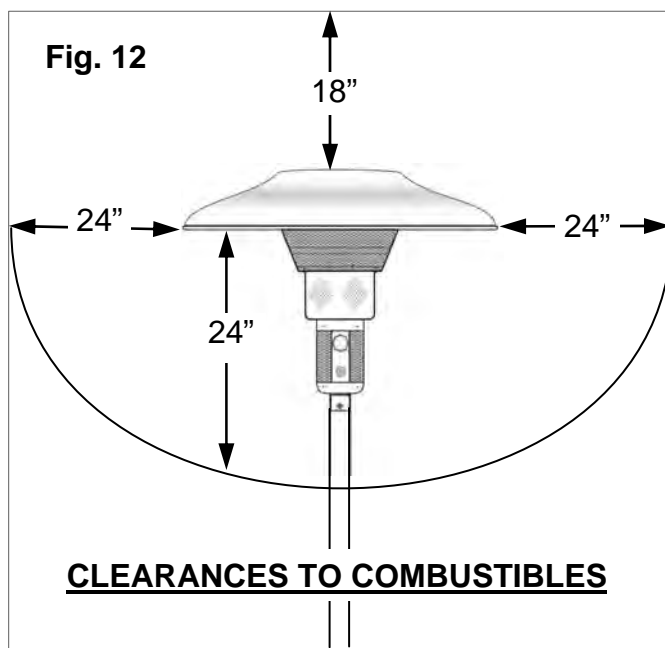
The clearances to combustibles represent a surface temperature of 90F° (50C°) above ambient temperature.

It is the installer's and end user's responsibility to ensure that materials with a low heat tolerance which may degrade at lower temperatures are protected to prevent degradation.

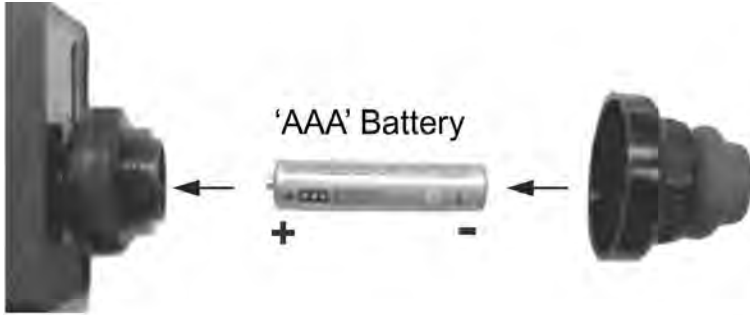
Examples of low heat tolerance materials include vinyl siding, fabrics, canvas, plastics, filmy materials, tri-ply, etc.

Maintain clearances to combustible materials as shown in Fig. 12:

- Sides of Reflector: 24 inches
 - Above Reflector: 18 inches
 - Below Reflector: 24 inches
- Children and Adults should be alerted to the hazards of high surface temperatures and should stay away to avoid burns or clothing ignition.
 - Young children should be carefully supervised when in the area of a heater.
 - Clothing or other flammable materials must not be hung from, or placed on or near the heater.



9. LIGHTING, OPERATION, AND SHUTDOWN INSTRUCTIONS

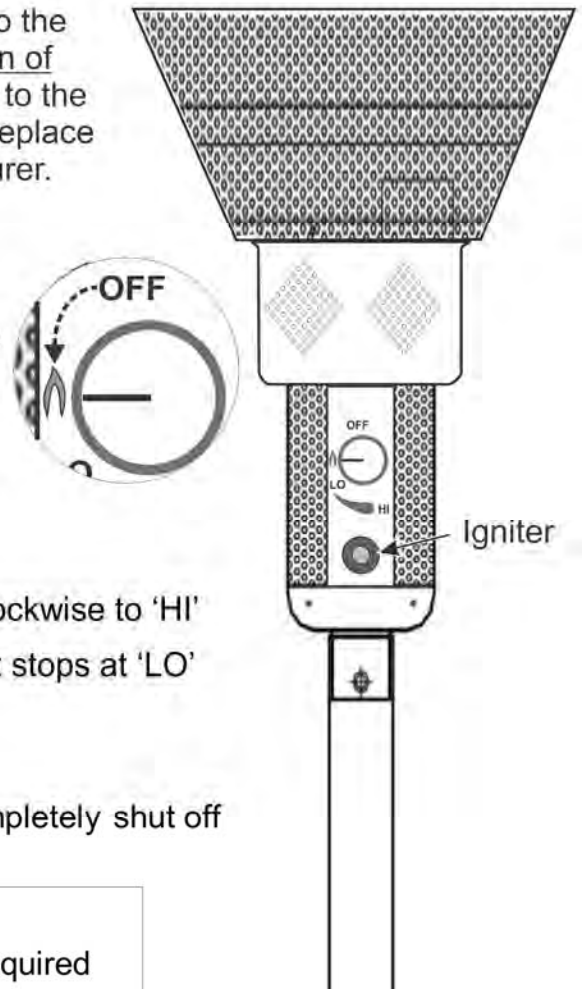


Install 'AAA' Battery into electronic igniter (as illustrated) by unscrewing cap counterclockwise, insert battery with positive terminal facing "in". Replace cap.

NOTE: A gas hose located inside the post supplies fuel to the burner. Prior to each use of the heater inspect any portion of the hose that is exposed. If there is any damage or wear to the exposed hose, call a qualified gas service technician to replace the damaged hose with one supplied from the manufacturer.

TO TURN 'ON':

1. From 'OFF' position, turn knob 90° counter-clockwise to flame icon, push and hold in
2. Press igniter 'red button' until a flame is established
3. Release the knob and check that the flame stays on
4. If the flame goes out, repeat steps 1 & 2 above
5. For maximum temperature, turn knob fully counter-clockwise to 'HI'
6. For minimum temperature, turn knob clockwise until it stops at 'LO'



TO TURN 'OFF':

1. Depress knob and turn fully clockwise to 'OFF' to completely shut off the gas supply



Warning:

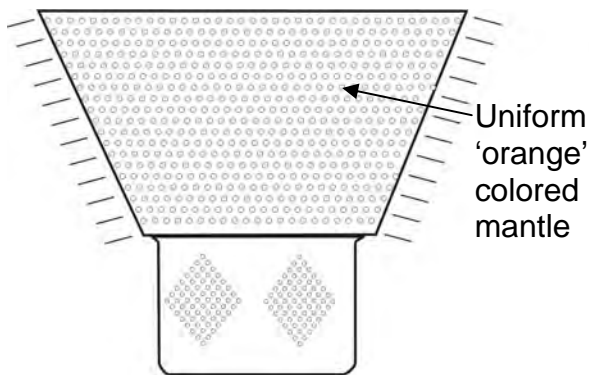
A 5 minute complete shut off period is required before the appliance is re-lighted.

In very strong winds, turn the heater 'OFF'

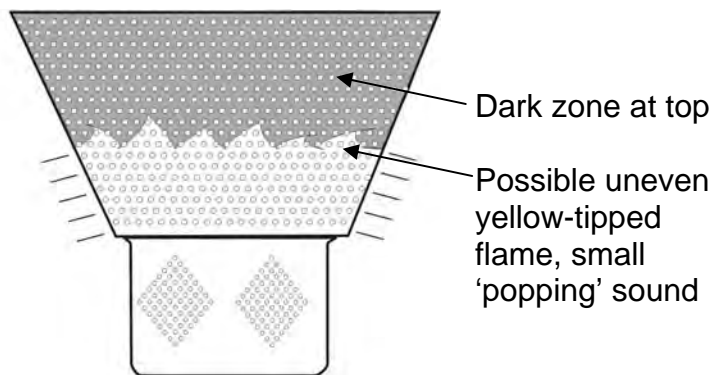
2. If the heater will not be used for a longer time period, or requires service, shut off the gas supply to isolate the heater.

10. MAINTENANCE

1. Prior to each use, inspect the heater for damage - a qualified gas service person must repair or replace any damaged or malfunctioning components as supplied by the manufacturer.
2. Periodically (monthly) perform a leak test of all visible gas connections to ensure safe operation - see page 11 for leak test procedures
3. Annually inspect the gas hose that is concealed inside the confines of the post. Refer to the assembly instructions (pages 9 -10) in reverse order to expose the hose for inspection. If there is evidence of excessive abrasion or wear, replace the gas hose or any worn or defective components only with replacement parts available from the manufacturer.
4. Reassemble the heater and leak test all connections as instructed on page 11.
5. Keep the appliance area clear and free from combustible materials, gasoline and other flammable vapors and liquids
6. Ensure that there is no obstruction to the flow of combustion and ventilation air
7. Visually inspect the burner flame performance.
 - The burner area is likely to attract spiders, especially inside the orifice. Annually before the heater is put into service, the heater should be inspected by a qualified gas service technician for spider webs, insects, and debris around burner and orifice. A plugged injector or orifice will obstruct the gas flow to the burner. This will result in burner malfunction and possible damage.



Good Burner Performance:
Uniform color and heat output



Poor Burner Performance:
Irregular color, dark top,
and heat output at bottom

- A heater that is operating properly will produce a relatively uniform 'orange glow' over the surface of the emitting mantle. (Caution: Wind conditions can cool portions of the emitter surface below the temperature of the visual spectrum.)
- A poorly performing burner will exhibit uneven 'orange glow' at the bottom of the mantle, and the top portion of the mantle will be dark (below the visual spectrum temperature)
- Other indicators of poor burner performance are:
 - A gas 'smell' combined with yellow tipped flames on burner
 - Heater does not provide expected heat output capacity
 - Burner makes small popping sounds while operating. Note: When heater is warming up or cooling down a pinging metallic noise is normal.
- A heater in this poor performance condition requires service by a qualified gas service

(Continued on page 15)

person

- Refer to trouble shooting guide next page
- Periodically clean the heater with a mild detergent solution and rinse with clear water, or use a commercially available specialty cleaner. In particular keep the surface clean and clear at the base of the burner where air is taken in for combustion.

A complete replacement parts list is on page 17.

Replacement parts are available from a local distributor in your area.

Contact information for the manufacturer is available inside the front cover of this manual.

11. TROUBLE SHOOTING



PROCEDURES IN THIS SECTION IS FOR QUALIFIED GAS SERVICE PERSON ONLY



WARNING: Improper installation, adjustment, alteration, service or maintenance can cause property damage, injury or death.

This heater must be installed and serviced only by a qualified gas service technician.

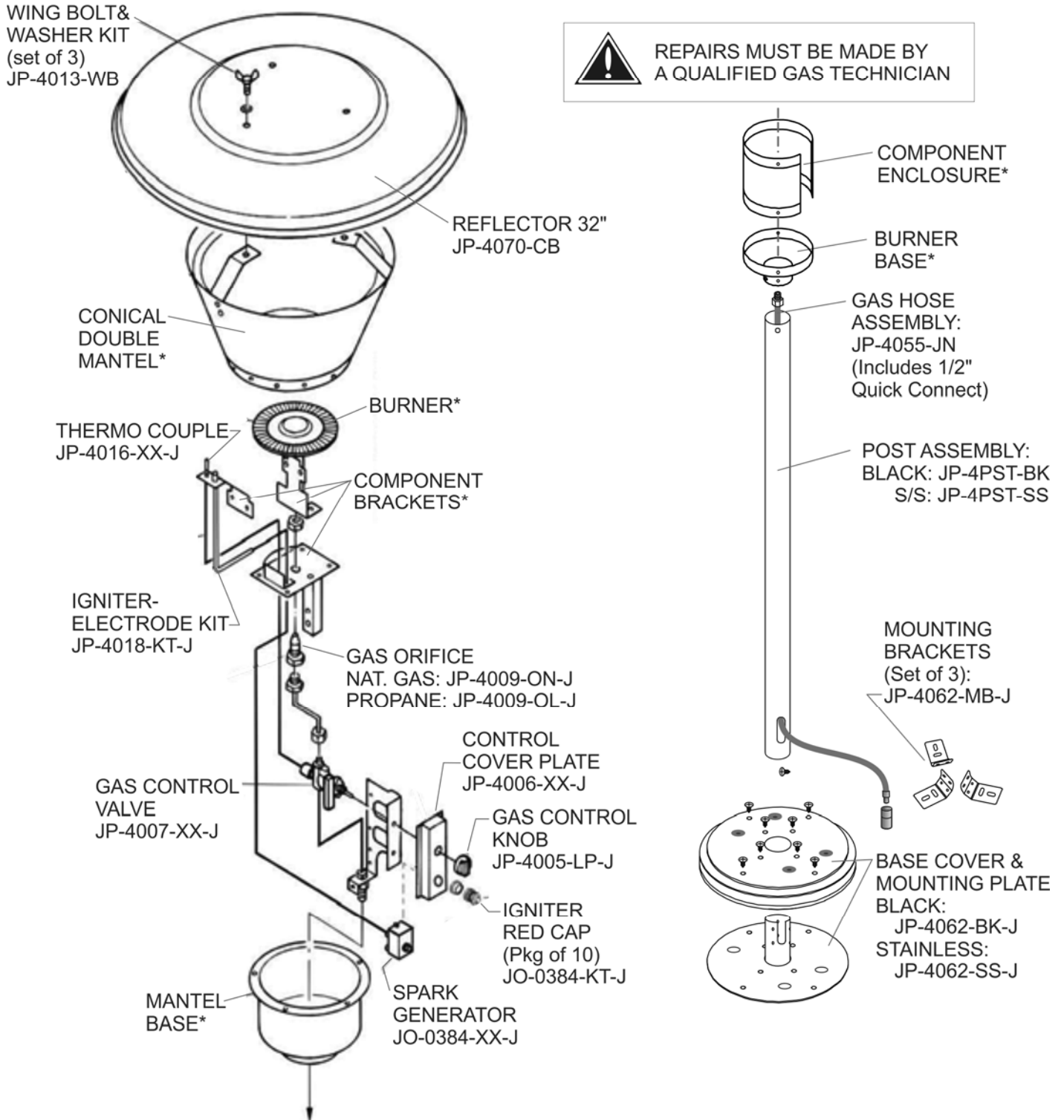
PROBLEM	PROBABLE CAUSE	SOLUTION
Burner will not light	Gas supply valve may be in OFF position Air in gas supply system. Orifice blocked No spark for ignition New unit = 1st time ignition	Turn the gas valve ON Purge air from lines. Check for spider, web or obstruction in Orifice. Clean or replace orifice. Replace AAA battery ... listen for spark. Check electrical leads / connections. Replace battery spark/igniter module. Burner can be ignited manually Ensure air purged from gas supply
Burner will not stay lit	Debris or dirt around pilot Gas leak / loose connections Thermocouple faulty	Clean pilot area Inspect and tighten connections; Gas leak check (page 11) Replace Thermocouple
Low Burner flame	Gas pressure is low Spider web or insect cocoon	Check gas pressure with manometer. Check for restricted or plugged orifice.
Burner smoking / making carbon	Poor gas to air mixture	Clean components and any build-up of dirt/debris

12. REPLACEMENT PARTS: EXPLODED VIEW

PROPANE MODELS: 4SL5-CB & 4BL6-CB
NAT. GAS MODELS: 4SN5-CB & 4BN6-CB

COMPLETE BURNER HEAD: PROPANE: JP-4005-BL-CB
(Reflector Sold Separately) NAT. GAS: JP-4005-BN-CB

* NOTE: COMPONENTS MARKED WITH AN ASTERISK (*)
 ARE COMPONENTS OF THE COMPLETE BURNER HEAD
 ASSEMBLY AND ARE NOT SOLD INDIVIDUALLY





LIMITED WARRANTY CERTIFICATE



FOR GAS-FIRED INFRA-RED PATIO HEATERS : 4SN/L-5-CB, 4BN/L-6-CB SERIES

The Manufacturer warrants that this product is free from defects in material or workmanship under normal use and service subject to the terms of this document.

COMPONENT PARTS - ONE YEAR WARRANTY

Subject to the conditions and limitations stated herein, during the term of this limited warranty, we will repair or replace (at our option) any component part of the heater which the Manufacturer's examination determines to be defective in workmanship or material for a period of one year (1 year) from the date of installation, unless otherwise specified below. This warranty applies to the heater's original owner, and subsequent transferees and only if the unit is installed and operated in accordance with the printed instructions accompanying the unit and in compliance with all applicable installation, building codes and good trade practices.

BURNER AND MANTLE - THREE YEAR WARRANTY

The Manufacturer warrants the burner and mantle for a period of three years. (3 years)

WHAT IS NOT COVERED

This warranty does not cover heating products improperly installed, misused, exposed to or damaged by negligence, accident, corrosive or contaminating atmosphere, water, excessive thermal shock, impact, abrasion, alteration or operation contrary to the owner's manual or if the serial number has been altered, defaced or removed. This warranty shall not apply if the input to the heating product exceeds by more than 2% of the rated input on the rating plate. The Manufacturer shall not be responsible for any expenses, including service, labor, diagnosis, analysis, material or transportation charges incurred during removal or reinstallation of this product, or any of its components or parts. All labor or service charges shall be paid by the owner. The Manufacturer shall not be liable for any default or delay in performance by its warranty caused by any contingency beyond its control, including war, government restrictions, or restraints, strikes, fire, flood, acts of God, or short or reduced supply of raw materials or products.

WARRANTY PROCEDURE

To establish the installation date for any purpose under this Limited Warranty, you must retain the original records that can establish the installation date of your unit. If you do not provide such documents, the start date of the term of this Limited Warranty will be based upon the date of unit manufacture, plus thirty (30) days. Failure to maintain the equipment through regular annual service maintenance by a qualified service technician shall void the warranty.

LIMITATIONS AND EXCLUSIONS

This document contains all warranties made by the Manufacturer and may not be varied, altered or extended by any person. There are no promises, or agreements extending from the Manufacture other than the statements contained herein. THIS WARRANTY IS IN LIEU OF ALL WARRANTIES EXPRESSED OR IMPLIED, TO THE EXTENT AUTHORIZED BY THE LAWS OF THE JURISDICTION, INCLUDING SPECIFICALLY THE WARRANTIES OR MERCHANTABILITY OF FITNESS FOR A PARTICULAR PURPOSE.

It is understood and agreed that the Manufacturer's obligation hereunder is limited to repairing or replacing parts determined to be defective as stated above. In no event shall the Manufacturer be responsible for any alleged personal injuries or other special, incidental or consequential damages. As to property damages, contract, tort or other claim the Manufacturer's responsibility shall not exceed the purchase priced paid for the product.

All replacement parts will be warranted for the unused portion of the warranty coverage period remaining on the applicable unit.

Some Authorities do not allow certain warranty exclusions or limitations on how long a warranty lasts or the exclusions or limitations of incidental or consequential damages. In such cases, the above limitations or exclusions may not apply to you and are not intended to do so where prohibited by law. This warranty gives you specific legal rights. You may also have other rights which vary by each jurisdiction.

SCHWANK & INFRASAVE

5285 BRADCO BLVD. MISSISSAUGA, ON, L4W 2A6
2 SCHWANK WAY, WAYNESBORO, GEORGIA. 30830-8336
1-877-446-3727 Fax: 1-866-361-0523
csr@schwankgroup.com www.schwankgroup.com www.InfraSave.com

GP-M400-CX-01A
4BN/L6,4SN/L5 Series
WARRANTY
APRIL, 2005
RL: 1A