

# SUBMITTAL DATA



## Infrasave 2500 Series Air Curtain Surface Mount Models



Conforms to:  
CAN CSA-C22.2 no.46-13  
& UL 2021(Ed.3): 2013

For indoor use: openings up to 11 ft-6in [3.5m] height

<b>PROJECT:</b>			
<b>ENGINEER:</b>			
<b>CONTRACTOR:</b>			
<b>DISTRIBUTOR:</b>			
<b>Infrasave MODEL #:</b>	<b>2551</b>	<b>2572</b>	<b>2593</b>
<b>Electric Heat</b>	<b>2551EH</b>	<b>2572EH</b>	<b>2593EH</b>
<b>Hot Water Heat</b>	<b>2551WH</b>	<b>2572WH</b>	<b>2593WH</b>
<b>APPROVED BY:</b>			
<b>DATE:</b>			
<b>APPROVAL #:</b>			

Infrasave  
2 Schwank Way  
Waynesboro, Georgia,  
USA, 30830

Customer and Technical Services  
Phone: 1-877-446-3727  
Fax : 1-866-361-0523

5285 Bradco Boulevard,  
Mississauga, Ontario,  
L4W 2A6

e-mail: [csr@infrasave.com](mailto:csr@infrasave.com)

[www.infrasave.com](http://www.infrasave.com)

## Notice:

Infrasave reserves the right to make changes to equipment and specifications due to revision in standards or to provide product improvement without obligation of notification.

This publication is intended to convey product specifications and information to engineering or other consultants to a particular project. For other reasons, this publication, or parts thereof, may not be reproduced in any form without prior written consent from Infrasave. Unauthorized use or distribution of this publication is strictly prohibited.

## **Infrasave 2500 Series Features / Components Summary:**

The Infrasave 2500 Series air curtain is intended for indoor horizontal mounting above building doorways at a mounting height from 7 feet up to 11 feet-6 inches [3.5 m].

The 2500 Series air curtain is designed to provide quiet operation and energy savings by effectively separating indoor and outdoor environments, restricting entry of unconditioned air, dust, fumes, and insects. The 2500 Series air curtain can also be used at interior openings /doorways to isolate coolers and clean room environments .

- Available unit widths: 51, 72, or 93 inches [1300, 1825, 2350 mm]
- Multiple units can be ganged together for wider openings
- Galvanized sheet steel construction with durable white finish (RAL 9010)
- Wall mount brackets included, or ready to suspend from structure
- Wired Remote Control included, with 20 ft [6 m] RJ control cable
- LED indicator status lights on wired-remote control for settings / performance
- Thermal protection cut-outs; reset from wired-remote control
- Control up to 8 air curtain units with one wired-remote control
- 3-Speed fan motor control
- High efficiency electric elements for instant heat
- 9 electric heat output levels: Automatic or manually selectable
- Hot Water Heat version supplied with a motorized three port valve
- Optional fan motor voltages: 208 - 240 Vac / single phase / 60 hZ
- Optional electric heater voltages: 460 - 600 Vac / 3 phase / 60 hZ
- Optional Accessories, Functions, Features:
  - Door switch: regulate fan speed and heat output
  - Outdoor thermostat (field supplied): add basic weather compensation
  - Modbus module & software: control plug-in for BMS control and monitoring
    - 7 Day timer and programming
  - EEPROM module: modulating heat and air flow

Tested and Certified by Labtest to:

- CAN/CSA C22.2 no. 46-13
- UL 2021(Ed.3): 2013



## Project Quantity(s) & Electrical Specifications:

Project Qty	Air Curtain Model	Electrical Supply (V/ph/Hz)	Rated Electrical Power Input (kW)	Rated Current per phase (amps)	Heat Output [Low/High] (kW)	Unit Weight lb [kg]
	2551	208...240/1/60	0.35	1.4	–	99 [45]
	2572	208...240/1/60	0.50	2.0	–	146 [66]
	2593	208...240/1/60	0.70	2.8	–	176 [80]
	2551WH	208...240/1/60	0.35	1.4	6.0 / 12.0	115 [52]
	2572WH	208...240/1/60	0.50	2.0	9.0 / 18.0	165 [75]
	2593WH	208...240/1/60	0.70	2.8	12.0 / 24.0	205 [93]
	2551EH (208V)	208/3/60	10.55	29.7	5.1 / 10.2	101 [46]
	2572EH (208V)	208/3/60	15.80	44.5	10.2 / 15.3	148 [67]
	2593EH (208V)	208/3/60	21.10	59.4	10.2 / 20.4	185 [84]
	2551EH (480V)	480/3/60 * + 208...240/1/60	12 0.35	14.5 1.4	6.0 / 12.0	101 [46]
	2572EH (480V)	480/3/60 * + 208...240/1/60	18 0.50	21.7 2.0	12.0 / 18.0	148 [67]
	2593EH (480V)	480/3/60 * + 208...240/1/60	24 0.70	28.9 2.8	12.0 / 24.0	185 [84]
	2551EH (600V)	600/3/60 * + 208...240/1/60	12 0.35	11.6 1.4	6.0 / 12.0	101 [46]
	2572EH (600V)	600/3/60 * + 208...240/1/60	18 0.50	17.3 2.0	12.0 / 18.0	148 [67]
	2593EH (600V)	600/3/60 * + 208...240/1/60	24 0.70	23.1 2.8	12.0 / 24.0	185 [84]

**NOTES:** \* Separate electrical supply for heaters [480 / 600V] and fan motors [208 / 240V]

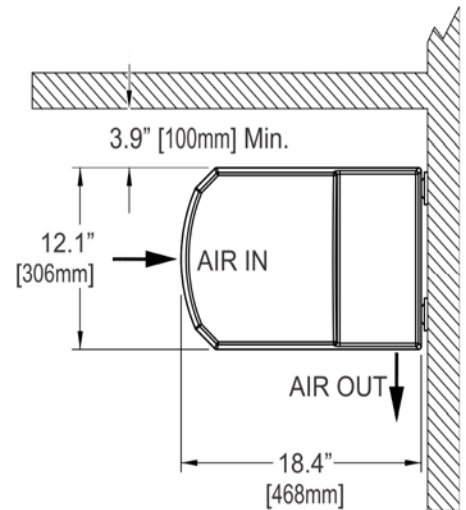
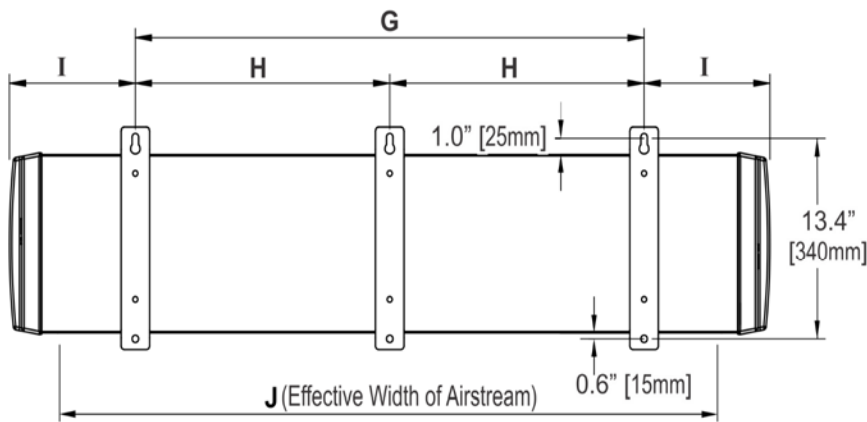
## Optional Accessories - Project Quantity(s):

Project Qty	Accessory	Description / Feature
	Door switch	Regulate fan speed and heat output
	Outdoor thermostat (field supplied)	Basic weather compensation
	Modbus module & software	BMS control & monitoring
	EEPROM module	Modulating heat and air flow

## 2500 Series Performance Specifications:

Fan Speed	Max. Air Velocity at Outlet Grille ft/min [m/s]		Maximum Mounting Height ft [m]		Sound Pressure Level dB(A) at 10ft [3m]			Air Volume Flow Rate cfm [m <sup>3</sup> /h]	
	208V	240V	208V	240V	Model	208V	240V	208V	240V
HIGH	1700 [8.7]	1850 [9.4]	10ft-10in [3.3]	11ft -6in [3.0]	2551	57	58	810 [1375]	885 [1500]
					2572	58	60	1165 [1980]	1270 [2160]
					2593	58	60	1460 [2480]	1565 [2660]
MED.	-	-	9ft-6in [2.9]	10ft-2in [3.1]	2551	55	56	700 [1190]	795 [1350]
					2572	56	58	1070 [1820]	1170 [1990]
					2593	56	58	1275 [2165]	1425 [2420]
LOW	-	-	7ft-3in [2.2]	7ft-10in [2.4]	2551	50	53	590 [1000]	685 [1160]
					2572	52	56	960 [1630]	1080 [1830]
					2593	52	56	1070 [1820]	1250 [2120]

## 2500 Series Surface Mount Air Curtain Dimensions



Ceiling Suspension:  
**Use ALL drop rod holes:**  
 Four holes: Model 2551  
 Six holes: Models 2572, 2593

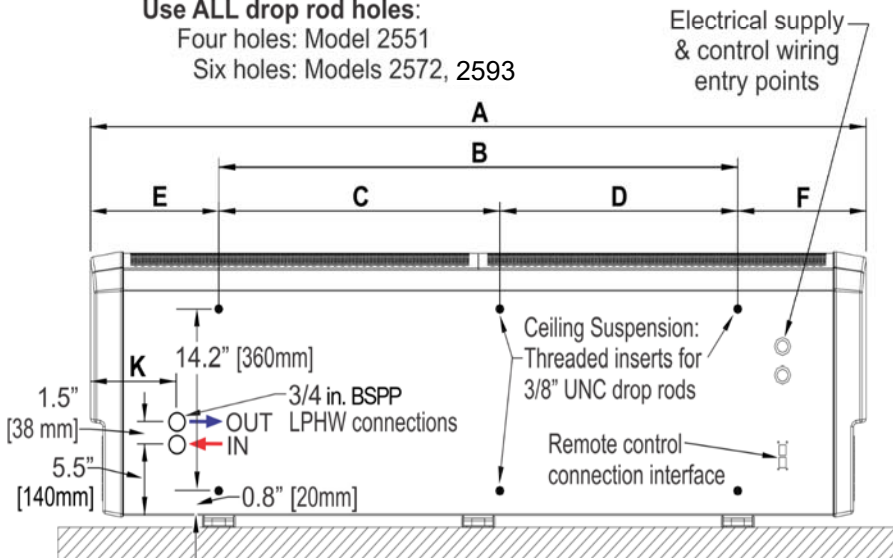


Table Values: Inches [mm]

	2551x	2572x	2593x
A	51.2 [1300]	71.9 [1825]	92.5 [2350]
B	35.2 [895]	56.3 [1430]	78.9 [2005]
C	-	28.4 [720]	40.6 [1032]
D	-	28.0 [710]	38.3 [973]
E	8.0 [202]	7.8 [197]	5.6 [143]
F	8.0 [202]	7.8 [197]	8.0 [202]
G	35.4 [898]	55.0 [1398]	75.0 [1904]
H	-	27.5 [699]	37.5 [952]
I	7.9 [201]	8.4 [213]	8.8 [223]
J	43.3 [1100]	64.2 [1630]	84.7 [2150]
K	7.2 [184]	8.7 [220]	6.6 [167]