

SUBMITTAL DATA



P40U SERIES **Models: P40U-I** **P40U-IP** **P40U-IW**

POSITIVE PRESSURE SERIES GAS FIRED INFRA-RED TUBE HEATERS

PROJECT:			
ENGINEER:			
CONTRACTOR:			
DISTRIBUTOR:			
SCHWANK MODEL #:	P40U -I	P40U-IP	P40U-IW
FUEL:	N.G.	L.P.G.	
APPROVED BY:			
DATE:			
APPROVAL #:			

P40U Series is certified by CSA International to:
ANSI Z83.20 / CSA 2.34 Standard for Gas-Fired Low Intensity Tube Heaters



www.Infrasave.com

NOTICE:

Infrasave reserves the right to make changes to equipment and specifications without obligation or notification.

This publication, or parts thereof, may not be reproduced in any form, without prior written consent from Infrasave.
Unauthorized use or distribution of this publication is strictly prohibited.

Infrasave
2 Schwank Way
Waynesboro, Georgia,
USA 30830

5285 Bradco Boulevard
Mississauga, Ontario,
L4W 2A6

Customer and Technical Services
Phone: 1-877-446-3727
Fax: 1-866-361-0523

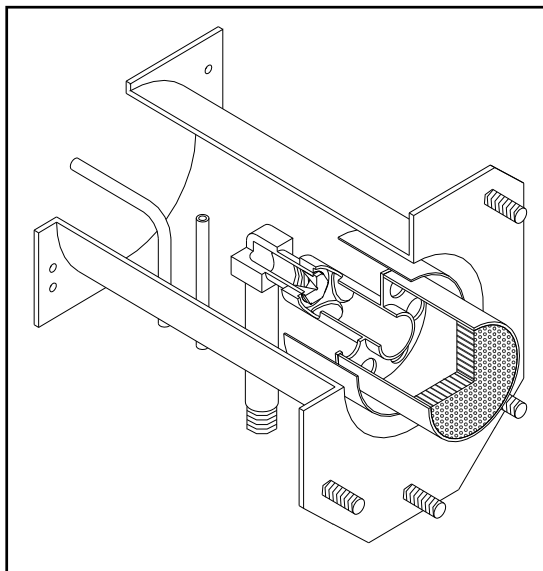
e-mail: csr@Infrasave.com

www.Infrasave.com

Quantity On Project		
	P40U-I	Indoor Commercial / Industrial; Painted drop-jaw burner housing
		Dimensions: 120" L x 20" W x 12" H (3035 mm x 508 mm x 305 mm)
	P40U-IP	Outdoor / Wet Environments; Powder coated weather tight burner housing
		Dimensions: 124" L x 20" W x 12" H (3150 mm x 508 mm x 305 mm)
	P40U-IW	Outdoor / Harsh Environments; Stainless steel weather tight burner housing
		Dimensions: 124" L x 20" W x 12" H (3150 mm x 508 mm x 305 mm)

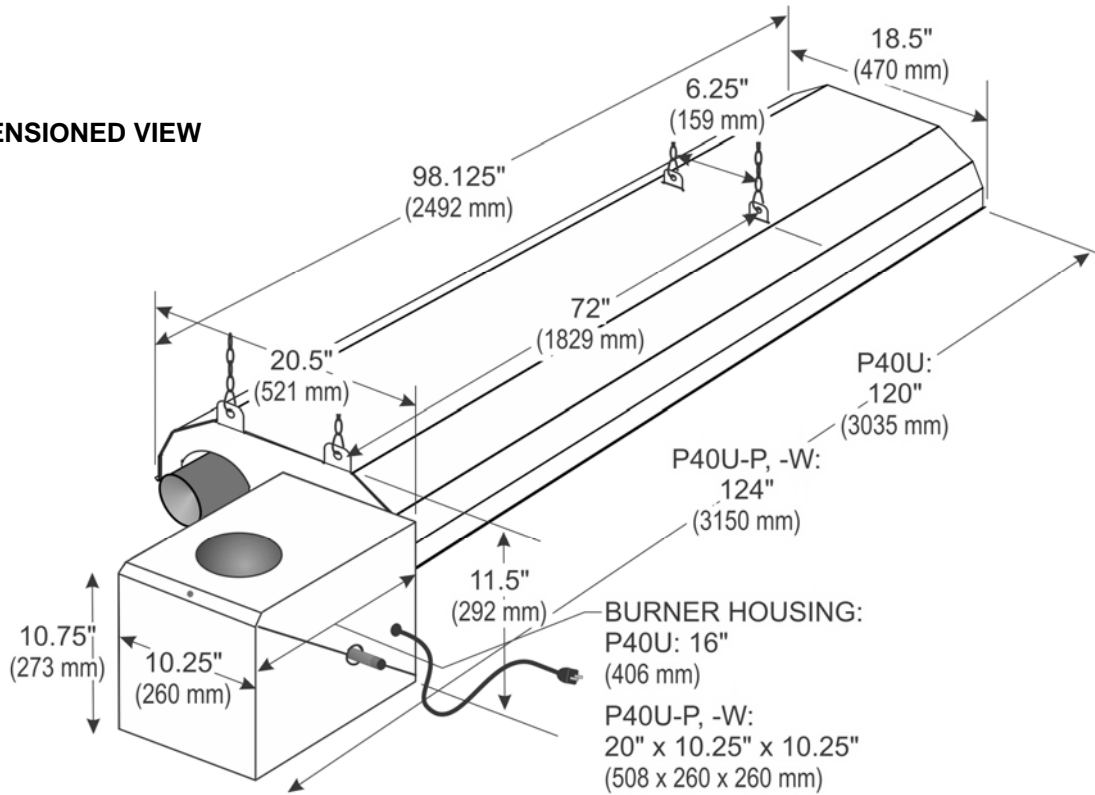
All P40U Models: Factory assembled (burner to tube/reflector system)	
Capacity:	40,000 Btuh (12kW) 0 to 4,500 ft. (1,370 m) ABOVE SEA LEVEL
Shipping Weight :	105 lb. (47.6 kg)
Assembly Weight:	96 lb (43.5 kg)
Turbulator:	36" (914 mm) Burner side tube; 90" (2286 mm) Vent side tube
Flue Vent / Air Duct:	4" (102 mm)
Gas Inlet:	1/2" NPT (12.7 mm)
Gas Connector:	USA: 1/2" x 24" Stainless steel - supplied with heater Canada: 1/2" x 30" Type 1 Gas Hose - supplied with heater
Manifold Pressure:	3.5" w.c. NG (0.87 kPa); 10" w.c. LPG (2.49 kPa)
Line Minimum:	5" w.c. NG (1.25 kPa); 11" w.c. LPG (2.74 kPa)
Line Maximum:	14" w.c. NG or LPG (3.49 kPa)
Electrical:	120V, 60 HZ 145 VA
Thermostat:	Factory ready for 24Vac or 120Vac thermostat

CUT-AWAY BURNER VIEW



<u>OPTIONAL ACCESSORIES</u>		QTY ON PROJECT
FRESH AIR INTAKE WALL HOOD (P40U)	JS-0532-VC	
<i>Fresh Air Hood supplied with P40U-P & P40U-W</i>		
ROOF VENT TERMINAL 102 mm (4")	JA-0530-XX	
ROOF VENT TERMINAL 152 mm (6")	JA-0531-XX	
WALL VENT TERMINAL 102 mm (4")	JA-0528-XX	
WALL VENT TERMINAL 152 mm (6")	JA-0529-XX	
FLUE VENT TEE (102 mm x 102 mm x 152 mm) (4" x 4" x 6")	JA-0514-XX	
COUPLING KIT FOR TEE	JA-0516-SW	
TRU-TEMP 24V SET BACK THERMOSTAT	JM-0150-XX	
24 VOLT DIGITAL THERMOSTAT	JS-0569-WR	
THERMOSTAT 120 VOLT	JL-0772-XX	

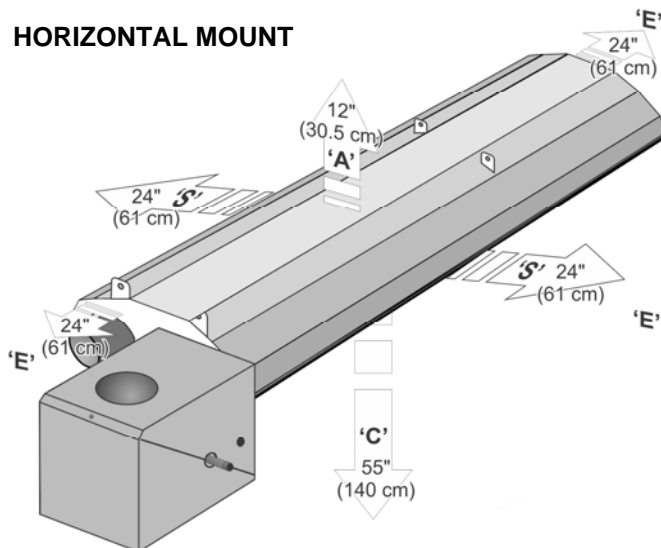
DIMENSIONED VIEW



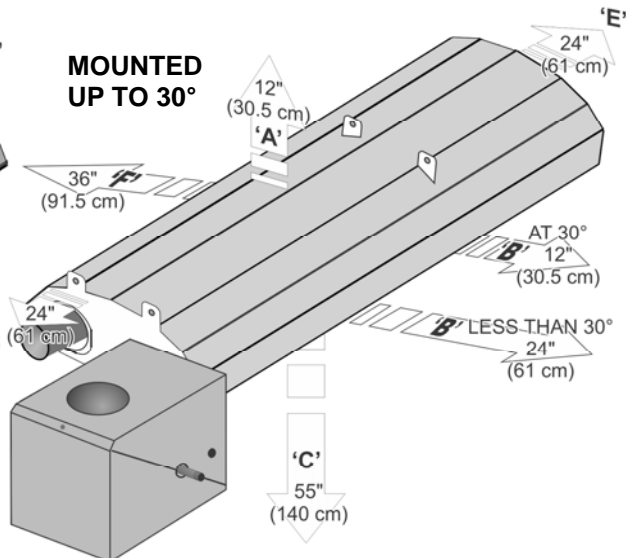
MINIMUM CLEARANCES TO COMBUSTIBLE SURFACES OR MATERIALS

MODELS	SUSPENDED HORIZONTALLY			SUSPENDED AT AN ANGLE UP TO 30 DEGREES			
	TOP (A) inches (cm)	BELOW (C) inches (cm)	SIDES (S) inches (cm)	TOP (A) inches (cm)	BELOW (C) inches (cm)	FRONT (F) inches (cm)	BEHIND (B) inches (cm)
P40U-I P40U-IP P40U-IW	12 (30.5)	55 (140)	24 (61)	12 (30.5)	55 (140)	36 (91.5)	12 (30.5)
'E': Clearance from 'U' end of heater (horizontal or angled): 24" (61 cm)							

HORIZONTAL MOUNT



MOUNTED UP TO 30°



COMPONENT DESCRIPTION

IGNITION	FENWAL DIRECT SPARK MODULE: PRE-PURGE AND POST-PURGE OF TUBE SYSTEM
THERMOSTAT OPTIONS	INFRASAVE TRU-TEMP (24V) SET BACK THERMOSTAT WITH RADIANT & AMBIENT SENSORS, AND AUTOMATIC UNOCCUPIED SETBACK MODE
	24V DIGITAL THERMOSTAT NOTE: MULTIPLE HEATERS PER 24V THERMOSTAT REQUIRE CONTROL CENTER KIT JM-0303-KT
	LINE VOLTAGE THERMOSTAT
	THERMOCONTROL PLUS CONTROLLER
HEATER 'U' TUBE	16 GA. x 4 Inch (102 mm) DIAMETER ALUMINIZED STEEL SWAGED AT VENT END
COMBINATION GAS VALVE	HONEYWELL 24 VOLT NATURAL GAS: 3.5" w.c. (0.87 kPa) AT MANIFOLD PROPANE GAS: 10" w.c. (2.49 kPa) AT MANIFOLD
REFLECTORS	ALUMINIZED STEEL REFLECTORS ARE CLOSED AT START AND END OF TUBE SYSTEM BY MEANS OF END PLATE HANGERS
HANGERS	EXTEND THROUGH REFLECTOR; SUSPENSION 72" (1829 mm) ON CENTER
BURNER HOUSING	P40U: BOTTOM FOLDS AWAY, PROVIDING ACCESS FROM TWO SIDES, END AND BOTTOM
	P40U-P: POWDER COATED WEATHER TIGHT
	P40U-W: STAINLESS STEEL WEATHER TIGHT
BURNER	INCORPORATES EFFECTILE CERAMIC BURNER HEAD WITH MINIMUM OF 835 GAS/AIR PORTS
	COMPLETE WITH OPERATION STATUS INDICATOR LIGHTS
TRANSFORMER	120/24VAC; 20VA
SAFETY SWITCHES	TWO SEPARATE AIR PRESSURE SWITCHES PROVE ADEQUATE COMBUSTION AIR AND SENSE BLOCKED FLUE
STATUS INDICATOR LIGHTS	GREEN: CALL FOR HEAT; YELLOW: IGNITION TRIAL; RED: FLAME ESTABLISHED
COMBUSTION AIR	COMBUSTION AIR DUCTED DIRECTLY TO INTAKE OF BLOWER
TERMINAL BLOCK	ALL WIRING CONNECTIONS BY MEANS OF COMMON TERMINAL BLOCK; JUMPER: FOR 120V THERMOSTAT; REMOVE FOR 24V THERMOSTAT
ELECTRICAL CORD	1220 mm (4') LENGTH 16/3 ELECTRICAL SUPPLY CORD WITH 3 PIN GROUNDED PLUG